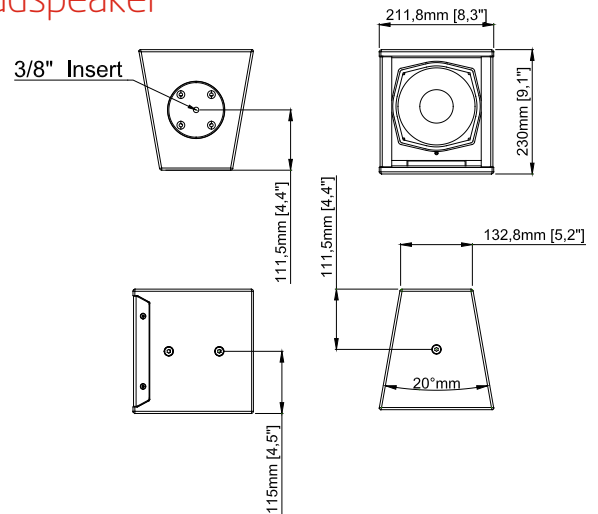


## IBZA 6Hz: Ultra-Compact Full Range Mid-Z Loudspeaker



### MAIN APPLICATIONS

- Background Music in restaurants, club, airports
- Museums and AV spaces
- Convention centres
- Hotels
- Distributed, Fill and Bajo Balcony

### MAIN FEATURES

- Compact two-way passive system
- 6 1/2" Full range loudspeaker
- 40 Ω nominal impedance
- Mounting accessories

### DESCRIPTION

The IBZA6HZ is a trapezoidal compact loudspeaker designed to provide high-quality sound and reliable performance for distributed systems. Housed in a wooden enclosure, the IBZA6HZ is especially suitable for installations involving space limitations and which long distance cables should be using. The exclusive special designed loudspeaker, 6 1/2-inch cone transducer medium impedance, loaded in a vented-bass cabinet delivers a maximum peak SPL of 100 dB and it has a wide operation range of 110Hz to 20kHz with very low distortion, providing an extremely coherent coverage through 70° conical field

In full-range mode with or without processor the IBZA6HZ is perfect for speech and vocal applications such as conferencing, TV studios, shopping centre, etc. With a processor, it offers highly accurate music reproduction. Combined with Tecna® subwoofers, IBZA6HZ is capable of high level performance in a variety of applications.

The box houses multiple internal rigging points M6 insert for different flying bracket and a 3/8" insert on the bottom for pole-mount.

The cabinet is coated with rugged Polyurea texture finish and protected with special grille.

Frequency Response <sup>1</sup>	110 Hz - 20 kHz
Frequency Response: Free Field <sup>2</sup>	125 Hz - 18 kHz ±3 dB
Axial Sensitivity @ (1W/1m)	88 dB
Calculated SPL	111dB cont./117 dB peak
Transducers: Low/High Frequency	1 x 6 1/2" cone drivers ferrita magnet, full range, direct radiation. Bass-reflex
Dispersions (HxV)	70° x 70°
Recommended amplifier	PA900/PA4.450/T6-44
Power (AES) <sup>3</sup>	100 W
Power (Continuous)	200 W
Rate Impedance	40 Ω
Input Connectors	IN: 1xNL4 SpeakON® LINK: 1 X NL4 SpeakON®
NET Weight	5,3 kg (11,68 lbs)
Dimensions	230 x 211,7 x 223 mm/ (9.05" x 8.31" x 8.78") (HxWxD)
Construction	16mm birch plywood. Finished in black semi-matt textured Polyurea weatherized coating.
Protective Grille	Powder coated perforated steel with acoustically transparent reticulated foam

<sup>1</sup> Recommended maximum operating frequency range. Response depends on loading conditions and room acoustics.  
<sup>2</sup> Free field measured with 1/3 octave frequency resolution at 4m  
<sup>3</sup> Based on AES Standard, 2 hours test applying 6dB crest factor pink noise signal within the range Fs-10Fs (AES-1984)



Pº Ind. Monte Boyal, C/Encinar 282  
 45950 Casarrubios del Monte (Toledo), SPAIN.  
 Phone: +34 918 170 110  
 Fax: +34 918 183 053  
 www.tecna.com  
 sales@tecna.com